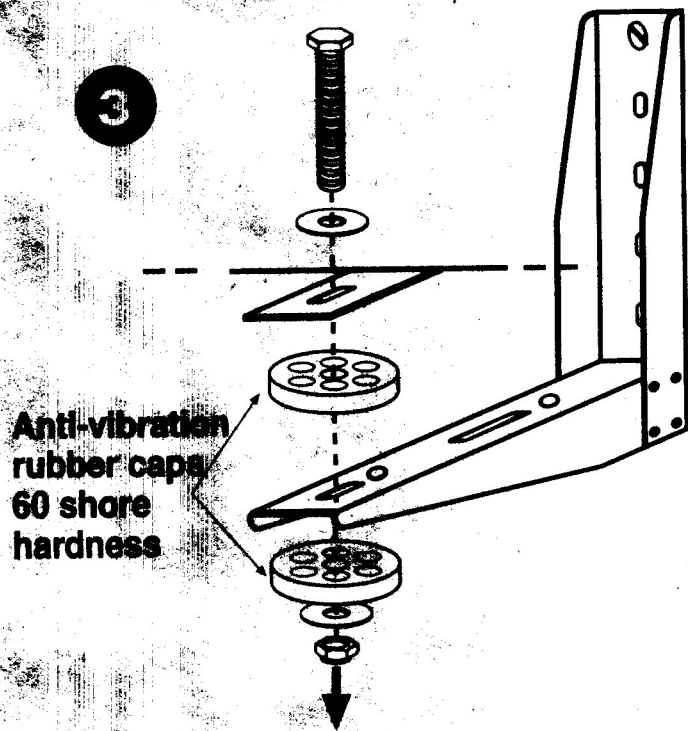
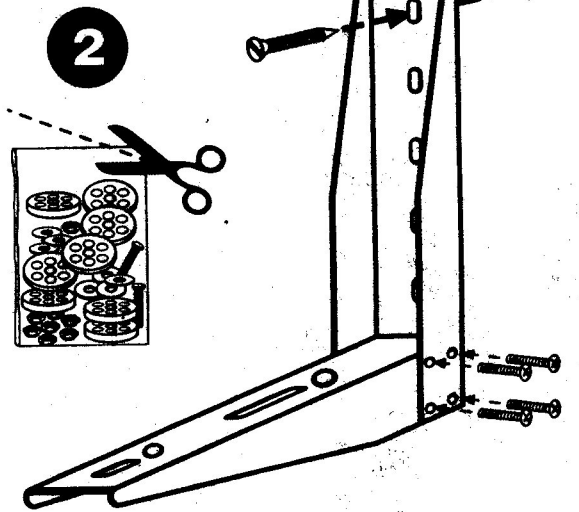
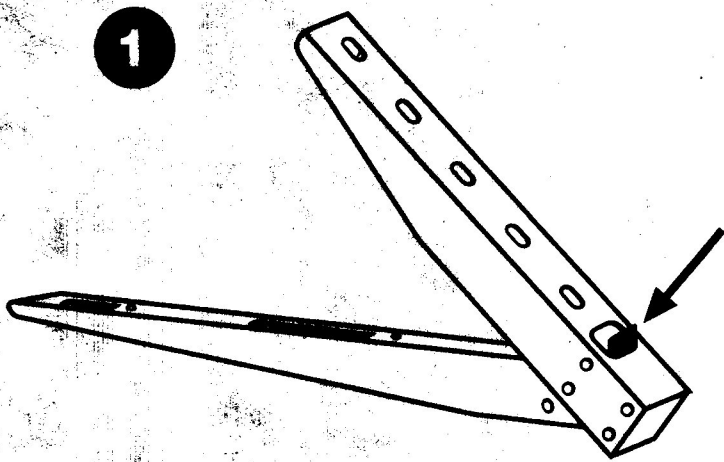
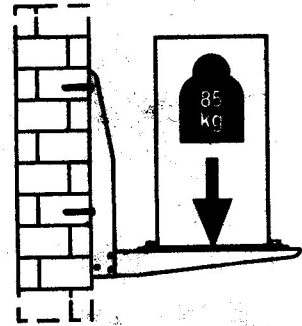


BRACKETS FOR OUTDOOR UNITS

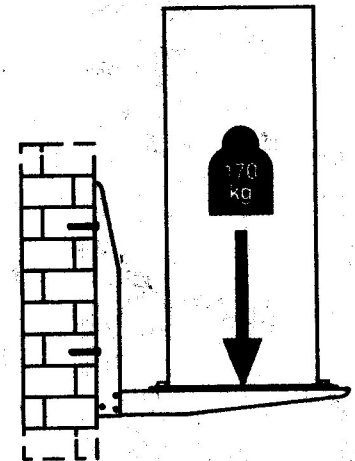
ASSEMBLY INSTRUCTIONS



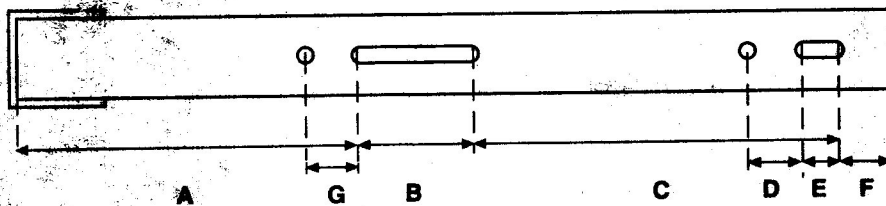
SP400
SP430



SP550



SIZES



MODELS		A	B	C	D	E	F	G	A+B+C+F	Max Kg
SP400	mm	50	70	260		20	20		400	85
SP430 (SP450)	mm	90	100	220	28		20		430	85
SP550	mm	135	110	285	20	20	20	35	550	170